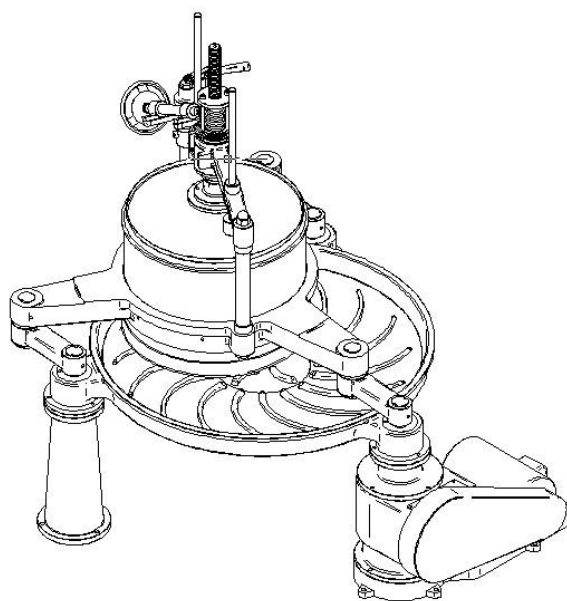


TEA ROLLING MACHINE

6CRT SERIES

USER'S GUIDE

Product implementation standards: **JB/T 9814-2007** "tea rolling machine"



Warning !

In order to reduce the degree of injury, please use this manual carefully before using this machine. Please follow the instructions in this manual. The manufacturer reserves the right to change specifications without notice.

Quanzhou Deli Agroforestril Machine Co.,Ltd

Contents

1.Safety precautions and warning	4
2.Application and features	4
3. Product structure and main technical parameters	5
4.Installation requirements	6
5.Use and operation method	7
6.Common malfunctions with Method of exclusion	7

Dear Customer:

Thank you for choosing the "Deli Assistant" brand tea machinery equipment, our products will become a good helper for your tea. Before using this product, please read the "Instruction Manual" carefully to understand the structure and performance of the machine, master the use, maintenance, maintenance and troubleshooting methods to ensure that you can complete the task efficiently.

The safety signs are as follows:

- Please read the "Instruction Manual" carefully.



- Attention warning sign



- Be sure to be firmly ground



- No touch



禁止触摸

1.Safety precautions and warning

- (1) Carefully read the "Instruction Manual" to carefully check the power supply, voltage and power supply of the machine selected by the machine.
- (2) The transmission motor of the machine must have a grounding device.
- (3) The transmission mechanism of the machine must be covered with a protective cover to boot.
- (4) Start the motor before starting the machine to check whether the rotation direction of the barrel meets the requirements of tea operation.
- (5) It is strictly forbidden to carry out repairs and maintenance without stopping the machine.
- (6) When the tea is in operation, it is forbidden for anyone to touch the rotating bucket with your hand to prevent hand bruising.
- (7) It is strictly forbidden to bring sickness, alcoholism, fatigue, and do not let children approach the machine to avoid danger.
- (8) The safety sign is posted on the machine.

2.Application and features

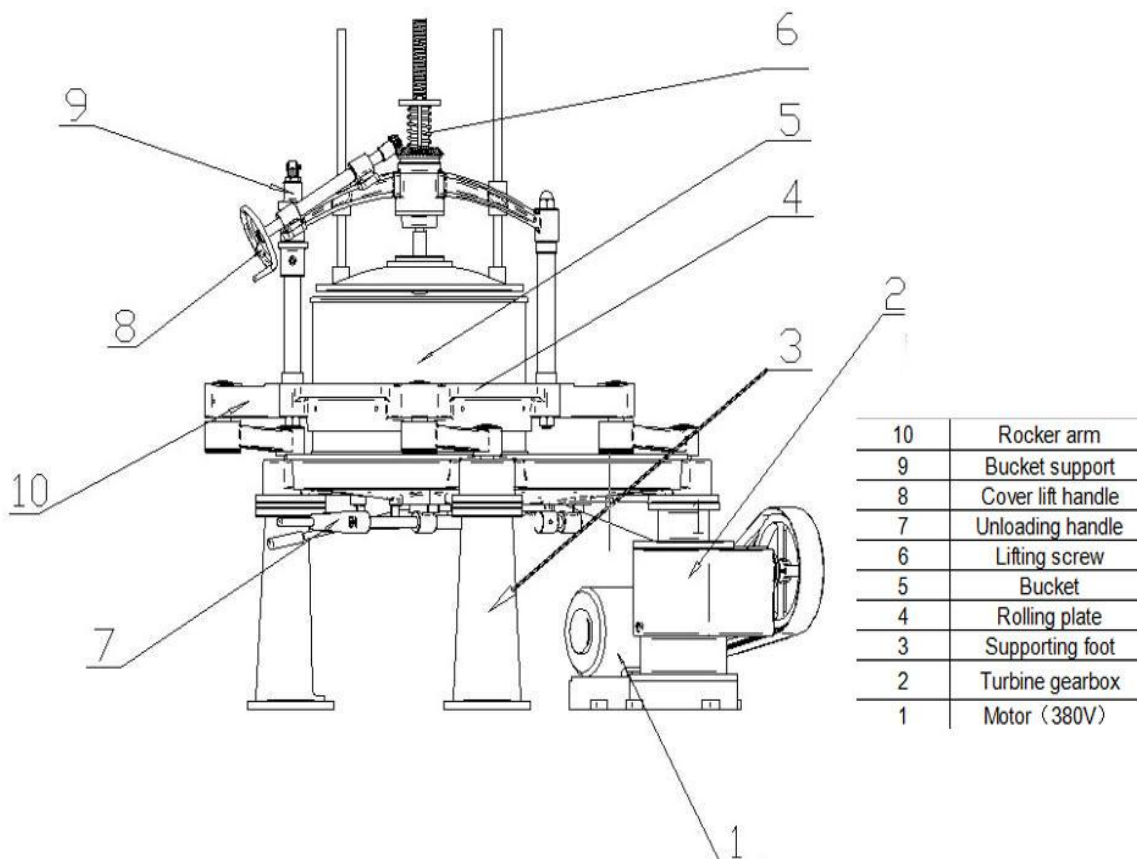
This product is suitable for the operation of various tea leaves. it is the main equipment for tea processing and processing. This product can be used to cut the tea leaves after being cut into strips, and properly destroy the cells for drying and drying.

The features of this product are:

- 1) The boring plate is polished and polished to accelerate the forming. at the same time, the material is opened in the middle to facilitate the discharging and improve the working efficiency.
- 2) The dies are made of one-piece casting, which is sturdy and durable.

3.Product structure and main technical parameters

3.1 Product structure



3.2 The main technical parameters

Model	6CRT-25	6CRT-30	6CRT-35	6CRT-40	6CRT-45	6CRT-50	6CRT-55	6CRT-65	
Dimension (mm)	720*640*945	870*700*995	820*900*1260	860*1030*1260	910*1080*1280	1020*1100*1300	1580*1400*1390	1490*1390*1620	
Input Voltage	220V/50Hz	220V/50Hz	220V/50Hz	380V/50Hz	380V/50Hz	380V/50Hz	380V/50Hz	380V/50Hz	
Tea disc diameter	485 mm	585 mm	720 mm	795 mm	885 mm	1000 mm	1050 mm	1210 mm	
Barrel diameter	250 mm	300 mm	350 mm	400 mm	450 mm	500 mm	550 mm	650 mm	
Barrel height	180 mm	210 mm	260 mm	250 mm	280 mm	280 mm	400 mm	480 mm	
Matching motor	Power	0.37 kW	0.55 kW	1.1 kW	1.1 kW	1.5 kW	2.2 kW	2.2 kW	3 kW
	Speed	1400 RPM	1400 RPM	1400 RPM	1400 RPM	1400 RPM	1400 RPM	1400 RPM	1400 RPM
	Rated voltage	220 V	220 V	220 V	380 V	380 V	380 V	380 V	380 V
Barrel speed	42 RPM	42 RPM	42 RPM	42 RPM	52 RPM	60 RPM	45 RPM	44 RPM	
Weight	70 Kg	90 Kg	145 Kg	153 Kg	175 Kg	280 Kg	420 Kg	495 Kg	
Productivity	10 Kg/h	20 Kg/h	30 Kg/h	45 Kg/h	50 Kg/h	65 Kg/h	75 Kg/h	120 Kg/h	
Maximum capacity per time	2.5 kg	4 kg	6.5 kg	8.5 kg	12.5 kg	15 kg	25 kg	40 kg	

4. Installation requirements

- (1) This machine should be installed on a flat ground, protected from rain and moisture, away from inflammable and explosive materials, and fixed with screws.
- (2) This machine must be installed by a professional electrician.
- (3) According to different models and supporting power (motor) power, equipped with special knives and fuses, must have reliable grounding to ensure personal safety.
- (4) Power-on test run for more than 10 minutes, no abnormal situation during the operation, no other common faults.
- (5) The motor steering should be consistent with the marking indicated by the barrel.
- (6) This machine must be commissioned before it can be put into use.

5. Use and operation method

- (1) Non-workers are strictly forbidden when the machine is tested and working, so as to avoid danger.
- (2) Before starting work, please open the lid, fill the tea into the bucket, press the tea leaves properly until the tea is filled with the tea, and then lower the lid to the bucket by the lifting arm. The end face is covered with the appropriate pressure to cover the tea.
- (3) Turn on the power and start. At the beginning, please do not press the tea leaves too tightly (intermittent down pressure), so that the tea leaves can not be turned over in the barrel, which reduces the work efficiency.
- (4) During the process, the pressure of the lid can be increased according to the shape of the tea. In the case of intermittent pressurization, the molding speed is faster. When the tea leaves are twisted into a strip shape, the material can be discharged. When the material is discharged, the safety buckle of the discharge port is first opened, and the tea leaves are squeezed out from the discharge port by the eccentric movement of the barrel, that is, the tea leaves are finished.

Warning!

After the tea leaves are finished, some of the tea leaves are broken after being discharged, and they are stuck on the trays and the barrels. It is strictly forbidden to clean the hands or cleaning tools when the equipment is not stopped, to avoid personal injury.

6. Common malfunctions with Method of exclusion

If the equipment is found to be abnormal during operation, it should be stopped immediately for inspection and re-use after troubleshooting.

Common faults and troubleshooting methods are shown in the following table:

Malfunction	Reason	Method of exclusion
The cover of barrel is shaking	Work fatigue	Adjust the guide screw of the lift arm
The middle leakage port is not tight	Tea leaves remain in the leaking port	Regularly clean the residual tea leaves around the leaking mouth

Quanzhou Deli Agroforestry Machine Co.,Ltd

Address: Dongxing District, Deyuan Industrial And Trade Zone, Anxi County, Fujian province, China

Phone: +86 595 23142888

Fax: +86-595-23142999

Zip code: 362400

Website: www.delijx.com