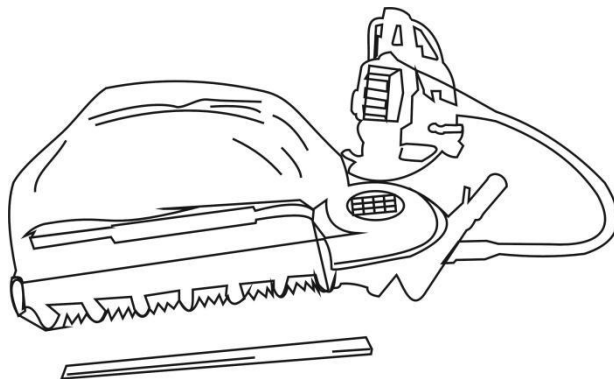


# **GASOLINE TEA PLUCKING MACHINE USER'S GUIDE**

## **4CD-60**



**Warning!**

**In order to reduce the degree of injury, please use this manual carefully before using this machine. Please follow the instructions in this manual. The manufacturer reserves the right to change specifications without notice.**

**Quanzhou Deli Agroforestrial Machinery Co.,Ltd**

Dear Customer:

Thank you for using the "Deli Assistant" brand tea machinery equipment, our products will become a good helper for your tea.

Before using this product, please read the "Instruction Manual" carefully to understand the structure and performance of the machine, master the use, maintenance, maintenance and troubleshooting methods to ensure that you can complete the task efficiently.

- Please read the "Instruction Manual" carefully



- Attention warning sign and working voltage



- Be sure to be firmly grounded



- Attention to mechanical injury



- Please pay attention to safety protection



- Pay attention to prevent burns



- It is strictly forbidden to use pure gasoline as fuel for two-stroke gasoline engines.



The oil machine must use mixed oil, the gasoline above 93# and the second Special oil mixing for stroke gasoline engine. (Volume mixing ratio 25:1)

Note: The fuel uses pure gasoline or not proportionately, Our company will not be responsible for any damage to the engine.

For the famous-brand high-efficiency four-stroke engine used in the four-stroke series tea plucking machine, please use 93# pure gasoline and add high-grade four-stroke special lubricating oil (engine chassis).

## CATALOG

1. Safety precautions .....	4
2. Parameter .....	6
3. Structure .....	7
4. Installation and adjustment .....	7
5. operate .....	10
6. Maintenance .....	12
7. Storage .....	13
Quanzhou Deli Agroforestrial Machinery Co.,Ltd .....	14

# 1. Safety precautions

## 1.1 Operator wear requirements

- (1) Wear gloves, long trousers and long-sleeved tops, and the clothing should not be too loose.
- (2) Wear wide-brimmed hat and protective goggles.
- (3) Wear boots or shoes with anti-slip properties, and it is strictly forbidden to wear casual shoes and sandals for work.

## 1.2 The following persons are strictly prohibited to operate this machine

- (1) People who are not familiar with the performance and structure of this machine, and have no operational knowledge.
- (2) People who are tired or sick.
- (3) drunk people.
- (4) Children.

## 1.3 Fire protection requirements

- (1) Stop the machine when refueling, smoke and fire are strictly prohibited, and dry the spilled oil.
- (2) The fuel storage place should be far away from fire or other heat

sources.

## **1.4 Preparation before homework**

- (1) Check whether the screws and nuts of each component are loose, and whether the cooling air passage is blocked.
- (2) Check whether all operating rods and safety devices are installed correctly.

## **1.5 Start**

When recoil starts, the blade edge is placed on the side away from you, and the machine is held tightly to prevent it from moving,

Ensure safety.

## **1.6 Safe operation**

- (1) When using this machine, please adopt a stable posture and hold the operating handle tightly.
- (2) During operation, it is strictly forbidden for other people to enter the work area.
- (3) Be careful when the ground is slippery in the rain or after the rain.
- (4) During the operation, when the blade is stuck, stop the machine and restart it after cleaning.
- (5) When working, you should move forward in the direction of the tea

tree, and work backwards is prohibited.

(6) When temporarily stopping the machine or changing the work site, stop the machine and install a blade guard.

## 1.7 Overhaul

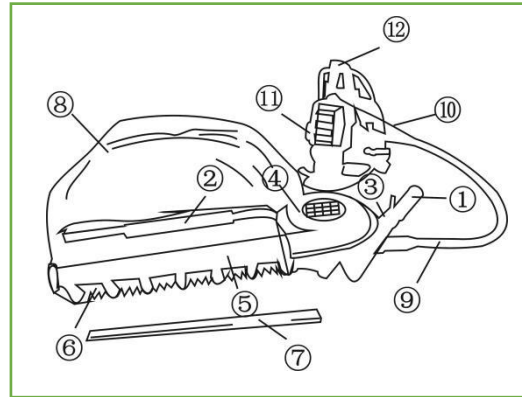
- (1) A person with professional knowledge must repair the machine.
- (2) The machine should be inspected regularly. If an abnormality is found during the working process, the machine must be stopped immediately for maintenance.
- (3) When repairs or services are needed, please contact the dealer or our company's staff member.

## 2. Parameter

Model	Engine	Stroke	Power
DL-4C-H3	HONDA GX35	4 Stroke	1.35 KW
DL-4C-H2	HONDA GX25	4 Stroke	0.81 KW
DL-4C-Z	KOMATSU G26LS	2 Stroke	0.81 KW
DL-4C-T	MITSUBISHI TU26	2 Stroke	0.7 KW
DL-4C-S	HUASHENG 1E34F	2 Stroke	0.7 KW
DL-4C-A	NATIKA 1E34F	2 Stroke	0.7 KW
DL-4C-S39	HUASHENG 139FA	4 Stroke	0.7 KW

### 3. Structure

- (1) Left handle
- (2) Right handle
- (3) Throttle switch
- (4) Fan
- (5) Air duct
- (6) Blade
- (7) Blade sheath
- (8) Leaf collecting bag
- (9) Flexible shaft assembly
- (10) Throttle cable
- (11) Power
- (12) Back frame assembly



### 4. Installation and adjustment

#### 4.1 Flexible shaft installation

- (1) Installation with the body

First remove the semi-automatic latch on the steering body, insert the flexible shaft into the square hole, and insert the hose

Enter the steering body and release the semi-automatic latch until the semi-automatic latch returns.

- (2) Connection with gasoline engine

Smoothly insert the end of the flexible shaft into the square hole of the passive plate, and then push the hose into the hole of the connecting plate,

And adjust the position where the hose is pushed in, so that the positioning pin of the connecting plate is inserted into the bolt hole of the hose, so as to communicate with the steam

The oil machine is firmly connected.

Note: Ensure that the flexible shaft is inserted into the square hole of the passive plate, otherwise, it will affect the normal transmission of the machine.

Even damage the machine.

## **4.2 Install the throttle cord**

Pass one end of the throttle cord through the inner hole of the carburetor adjusting bolt, and install a  $\varphi 3 \times 3$  cylinder

In the round hole of the upper rotating body of the carburetor, the other end is connected with the throttle switch.

Note: Turn the throttle switch handle to check the throttle opening. If you are not satisfied with the use, you can

Realized by adjusting the carburetor adjusting bolt.

## **4.3 Adjustment of the blade**

Before the machine is used or after working for a period of time, check and adjust the gap of the blades.

(The normal clearance of the blade is about 0.05mm). Excessive clearance

affects the quality of tea picked,

Damage the tea garden. If the clearance is too small, the load will increase, the blade will be difficult to run, and even the blade will be damaged.

The adjustment method is as follows:

- (1) Loosen the nut ①
- (2) Using a "cross" screwdriver, gently screw the screw ② to the end, and then return it to 1/31/2 turn;
- (3) After the "cross" screwdriver continues to fix the screw ②, and then tighten the nut ①, then check the blade screw filler; ③ Whether it can be rotated, it is advisable to grasp it with two fingers and just be able to rotate;
- (4) Apply lubricant to the blade.

#### **4.4 Install leaf collecting bag**

Put one side of the ventilating net of the leaf-collecting bag up, and put one side of the bag mouth between the two splints, and hang the leaf-collecting bag on the hook of the tea picker by the elastic band of the leaf-collecting bag.

(Note: If the ventilation net is down on one side, the mesh will be blocked by the tea leaves during picking, preventing air from

overflowing, which is not conducive to the smooth progress of picking.)

## **5. operate**

### **5.1 Refuel the fuel tank**

(1)The two-stroke gasoline engine uses a mixture of gasoline (93#) and the special engine oil for the two-stroke gasoline engine.

The volume mixing ratio is 25:1.

(Note: It is strictly forbidden to use pure gasoline or mixed oil with a mixing ratio of 25:1 or more as fuel.)

(2) For four-stroke gasoline engines, please use 93# pure gasoline.

(Note: Before refueling, please check whether there is enough four-stroke lubricating oil in the engine chassis.)

(3)For safety and fire prevention, the machine must be stopped and kept away from the fire source when refueling!

### **5.2 Start**

(1) Squeeze the hand pump 7-10 times; until the transparent plastic oil return pipe has oil back into the oil tank;

(2)Appropriately close the choke door, completely closed in winter (cold engine), and partially closed in summer, the engine does not need to be

closed, gently pull the starter 4-6 times; after the gasoline engine is started, open the air door;

(3) Ensure that the blade does not touch the surrounding obstacles;

(4) Hold down the gasoline engine with one hand, and gently pull the starter with one hand until it starts;

(Note: After the starting rope is pulled, hold the starter handle and return it along the starting rope. Do not let go before the starting rope returns to avoid damage to the starter)

(5) Return the throttle switch to the idle position after starting, check whether the blade is rotating, if it still rotates, it indicates that the idle speed is too high; if the gasoline engine turns off, it indicates that the idle speed is too low; stop the engine, check the throttle line, and adjust the idle speed;

(6) After starting, run at idle speed for 3 minutes to warm up the gasoline engine, and then proceed to work;

### **5.3 Picking**

Strictly control the forward speed of the tea picker to ensure good tea picking quality. When the machine turns to change rows or leaves the leaves, turn off the machine and stop the blades to ensure personal safety.

## 5.4 Shutdown

- (1) Turn the throttle to the low speed position and let the gasoline engine run for 3-5 minutes.
- (2) Turn the stop switch to the off position and stop.

# 6. Maintenance

## 6.1 Maintenance

- (1) The blade runs for 1-2 hours. Every time the machine stops and oil is added, the blade must be filled with lubricating oil (the lubricating oil is HG-10 engine oil) to ensure the normal use of the blade.
- (2) Add lubricating grease to the gear box and movable bevel gear shaft through the oil nozzle every 20 hours of use; similarly, remove the flexible shaft and add lubricating grease to the hose every 25 hours of use.
- (3) Check and adjust the blade gap. After the machine has been working for a period of time, the blade adjustment bolt is loosened due to blade wear or vibration, which changes the normal blade gap. Therefore, you must always pay attention to the operation of the blade and check the tightness of the blade adjustment bolt. Blade clearance.
- (4) Foreign matter is often stored in the blower pipe and fan, and should

be cleaned frequently.

Note: Do not forcibly squeeze the blowing pipe, otherwise it will cause its deformation and affect normal use.

## **6.2 Maintenance of gasoline engine**

### (1) Spark plug maintenance

In order to ensure the normal operation of the gasoline engine, the spark plug gap must be moderate and free of deposits. The reasonable gap of the spark plug is 0.6~0.7mm, and it should be adjusted frequently if the gap is too large or too small.

### (2) Maintenance of air filter

The air filter must be cleaned frequently. If the filter element of the air filter is blocked by dirt, clean the filter element and the inside of the air filter with gasoline.

## **7. Storage**

- 1) Pour the fuel in the fuel tank;
- 2) Burn the fuel in the carburetor (start the gasoline engine until the gasoline engine stops);
- 3) Clean the air filter and reassemble it;
- 4) Clean the blade with gasoline and apply 30# mechanical oil;

- 5) Remove the spark plug, pour a few drops of engine oil into the combustion chamber, and pull the starter several times to make the piston stop near the top dead center;
- 6) Clean each part, and rub a little oil on the metal parts;
- 7) Check each part and replace it if it is damaged;
- 8) Store the tea plucking machine in a ventilated and dry warehouse, and the flexible shaft hose should be placed straight, and cannot be bent or coiled.

## **Quanzhou Deli Agroforestrial Machinery Co.,Ltd**

Address: 12# Dongxing Road, Chengxiang Town, Anxi County, Quanzhou  
City, Fujian Province, China

WhatsApp / WeChat/Phone: +86 18120033767

Email: info@delijx.com

Zip code: 362400

Website: www.delijx.com